

VALVE FITTING
閥類配件

A2GA
(SOLENOID COILS)

Graphic Symbol 繪圖符號



(GA)



(GC)



(GE)

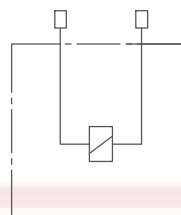


(GJ)

Features :

02 Coil Series
(Bore Size: 13mm Continuous Duty-ED100%)

Circuit



Ordering Code

型號說明

A2 G 2 A 3

1 Voltage type

D1:DC12V D2:DC24V A4:AC24V A1:AC110V
A2:AC220V A8:AC380V R1:RAC110V R2:RAC220V

2 Connector type

G: DIN43650 L: Lead wires(2)

3 Coil type

A (16W BMC plastic encapsulation)
C (14W BMC plastic encapsulation)
E (16W Robust design with outer metal cage)
J (20W BMC plastic encapsulation)

Technical Data

技術參數

Wire Insulation Class	Ambient Temperature Range	Power	Weight
(°C)		(watt)	(kg)
H(180°C)	-30°C, +60°C	GA: 16W GE:16W GC:14W GJ:20W	GA: 0.20 GE:0.17 GC:0.14 GJ:0.23

Current Data

電流參數

Current(A)	A2GA	A1GA	R2GA	A4GA	D2GA	D1GA
In-Rush	0.108	0.21	0.108	0.923	0.74	1.49
Holding	0.07	0.16	0.07	0.705	0.55	1.15

Current(A)	A2GE	R2GE	A8GE	D2GE	D1GE
In-Rush	0.098	0.108	0.069	0.92	1.028
Holding	0.07	0.078	0.05	0.605	0.816

Current(A)	A3GC	A1GC	D2GC	D1GC
In-Rush	0.072	0.178	0.63	1.3
Holding	0.06	0.121	0.453	1

Current(A)	A2GJ	R2GJ	D2GJ	D1GJ
In-Rush	0.13	0.13	0.698	1.5
Holding	0.09	0.09	0.51	1.067

VALVE FITTING
閥類配件

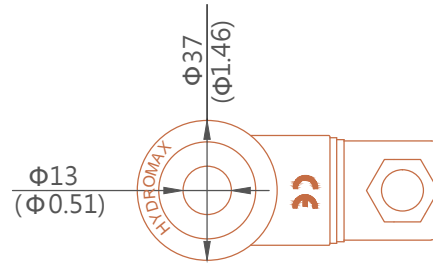
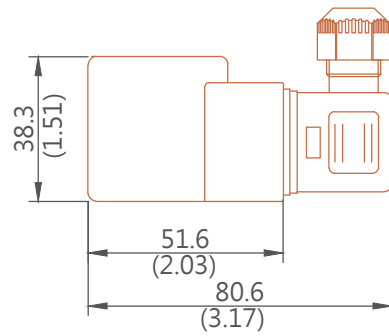
A2GA
(SOLENOID COILS)

Dimension

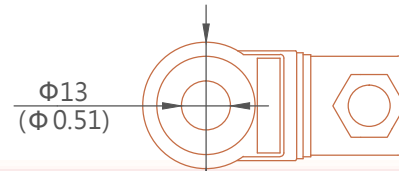
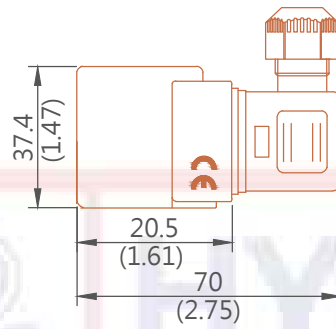
外型尺寸圖

Millimeters / (inch)

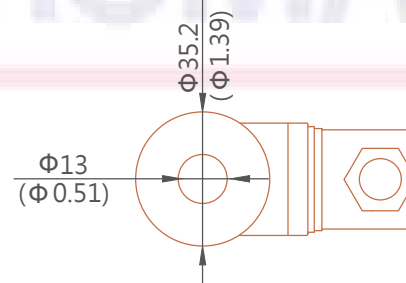
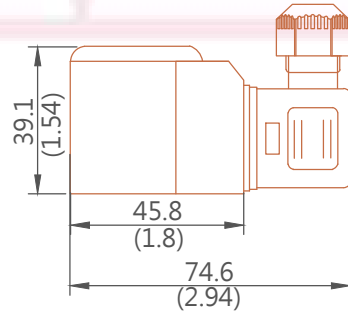
(GA)



(GC)



(GE)



(GJ)

